

Technical specification

filius 404b BG



Design:

100 kW el.

60 Hz / 480 V

biogas (50% CH₄, 50% CO₂)

Calorific Value = 481 BTU/ft³

NO_x < 1.0 g/BHP-h

Exhaust cooling to 356 °F

1. Genset	3
1.1 Engine	3
1.2 Generator (utility planning data)	4
2 Mixture composition	4
2.1 Combustion air	4
2.2 Fuel	5
3 Integrated heat extraction	5
3.1 Customer Heat Recovery Circuit	5
3.2 Engine circuit	5
4. Exhaust system	6
5 Ventilation	6
6 Operating fluids	6
7 Electronics and software	6
8 Interfaces	7
8.1 Dimensions and weights	7
8.2 Mechanical Connections	8
8.3 Electrical connections / utility interface	8
8.4 Data interfaces	8
9 Technical boundary conditions	9

Subject to technical changes!

Note: Figure on cover page may differ

1. Genset

	50 %	75 %	100 %	Load
Electrical power	50	75	100	kW ⁽⁵⁾
Useful thermal power	257.728	332.969	405.385	MBTU/hr ⁽²⁾
Fuel consumption	549.526	735.032	921.591	MBTU/hr ⁽¹⁾
Efficiency Electrical	31.0	34.8	37.0	% ⁽¹⁾
Efficiency Thermal	46.9	45.3	44.0	% ^{(1), (2)}
Efficiency Combined (el. + th.)	77.9	80.1	81.0	% ^{(1), (2)}
	NOx	CO	VOC ⁽⁸⁾	
Exh. emissions without catalytic converter	< 1.0	< 2.4	< 0.7	g/BHP-h
	< 91	< 300		ppm ^{(4),(6)}
Exh. emissions with catalytic converter	< 1.0	< 0.7	< 0.7	g/BHP-h
	< 91	< 90		ppm ^{(4),(6)}
Engine surface noise **			104	dB(A) ⁽⁷⁾
Engine surface noise with sound enclosure (not available) ***			-	dB(A) ⁽⁷⁾

1.1 Engine

Engine manufacturer	2G		
Engine type	agenitor 404b		
Type	row		
No. of cylinders	4		
Operating method	4-stroke		
Engine displacement	8000	ccm	
Bore	5.12	in	
Stroke	5.91	in	
RPM	1800	1/min	
ISO standard power (mech.)	141	bhp	
compression ratio	13,6 : 1		
average effective pressure	127.4	psi	
average piston speed	29.5	ft/s	
body of balance wheel	SAE 1		
Direction of rotation (based on balance wheel)	left		
tooth rim with number of teeth	167		
Engine dead weight	1940	lbs	
Mixture cooling to	176	°F	

** Total sound power level at full engine load in accordance with DIN EN ISO 3746

*** Average sound pressure level under open area conditions at distance of 1 m in accordance with DIN 45635
An increased noise load must be taken into account with fresh air intake from the installation room.

1.2 Generator (utility planning data)

Manufacturer	Leroy Somer	
Type	LSA 44.3 L10/4p	
Generator type	Synchronous, directly coupled	
Voltage regulator (AVR)	D510C	
Rated speed	1800	1/min
Frequency	60	Hz
Effective electrical power	100	kW
Apparent electrical power (cos ϕ 0.8)	125	kVA
Apparent electrical power (cos ϕ 1.0)	100	kVA
Rated generator current (cos ϕ 0.8)	150	A
Rated generator current (cos ϕ 1.0)	120	A
Rated generator voltage (\pm 10 %)	480	V
Subtransient reactance X"d	10.2	%
Short-circuit current I _k "3	2.5	kA
Power factor cos ϕ (lagging / leading)	0.8 / 0.95	
Generator circuit breaker	250	A
Additional section switch (VDE-AR-N 4105)	250	A
Efficiency (full load) at Cos ϕ = 1	94.9	%
Mass moment of inertia	32.04	lb · ft ²
Ambient air temperature	104	°F
Stator circuit	star	
Protection class	IP 23	
Generator weight	968	lbs
Compensation	not available	
Engine startup	not available	

2 Mixture composition

2.1 Combustion air

Combustion air mass flow	1101	lbs/hr
Combustion air volume flow (25 °C, 1013 mbar)	248	SCFM

2.2 Fuel

Fuel requirements in accordance with 'TA-004 Gas'

Reference methane number - minimum methane number	150 / 130	
Combustible mass flow	161.0	lbs/hr ⁽¹⁾
Combustible volume flow	31.9	SCFM ⁽⁶⁾ (1)
Gas pressure at rated load min. *	0.435	psig
Gas flow pressure at rated load max. *	1.015	psig
Gas regulation line safety pressure	7.252	psig

* At the inlet to the gas regulation line

3 Integrated heat extraction

3.1 Customer Heat Recovery Circuit

Heating water requirements in accordance with 'TA-002 Heating circuit'

Heating water volume flow (at $\Delta t = 15\text{ K}$)	30.0	gpm
Internal pressure loss in heating circuit (approx.) *	4.35	psig
Pressure reserve (approx.) *	-	ft
Heating water return temperature (max)	158	°F
Heating water flow temperature (max) **	194	°F
Safety valve	87.02	psi

3.2 Engine circuit

Coolant requirements in accordance with 'TA-001 Coolant'

Jacket Water Heat	188.994	MBTU/hr
Exhaust Gas Heat up to 356°F	209.562	MBTU/hr
Engine inlet temperature (min.)	176	°F
Engine outlet temperature (max.)	190	°F
Differential inlet / outlet (max.)	10.8	°F
Engine jacket water flow (min.)	40.6	gpm
Total cooling water circulation volume	40.6	gpm
Operating pressure (max.)	29.0	psi
Safety valve	43.5	psi
Safety temperature limiter	230	°F

* Up to / from module interface

** Heating water supply temperature in partial load operation < 90°C

4. Exhaust system

Exhaust gas temperature after turbo charger	964	°F ⁽³⁾
Exhaust temperature after exhaust heat exchanger	356	°F
exhaust gas volume flow wet	257	SCFM ⁽⁶⁾
exhaust gas volume flow dry	227	SCFM ⁽⁶⁾
exhaust gas mass flow wet	1262	lbs/hr
exhaust gas mass flow dry	1165	lbs/hr
Exhaust back pressure downstream of turbine max.	0.73	psig
Pressure reserve approx. (with catalytic converter) *	0.55 (0.46)	psig
Exhaust outlet noise **	121	dB ⁽⁷⁾

5 Ventilation

Radiation heat of engine and generator (approx.)	69.519	MBTU/hr
Supply air volume flow min. (at $\Delta t = 15$ K)	2667	SCFM

6 Operating fluids

Lubricating oil approvals, see 'TA-003 Lubricating oil'		
Lubrication oil consumption (max.)	0.30	g/kWh
Filling capacity lubricant (max.)	6.34	gallons
Lubricating oil filling tank fill capacity (optional) ***	9.25	gallons
Lubricating oil volume extension tank (optional)	18.49	gallons
Coolant approvals, see 'TA-001 Coolant'		

7 Electronics and software

Generator Protection Relay	Deif GPC 3 optional redundant Relay SEL 700GT	
Touchscreen display	10	"
Protection class Control cabinet	Type 12	
Protection class Power switch cabinet	Type 1	
Switch cabinet environmental temperature	32 - 95	°F
Switch cabinet relative air humidity (max.)	65	%

* From module interface (exhaust heat exchanger / catalytic converter in standard version and new condition)

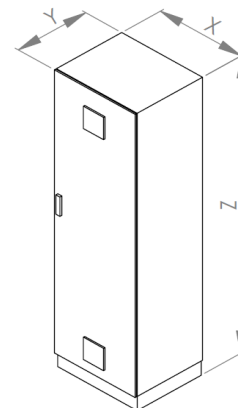
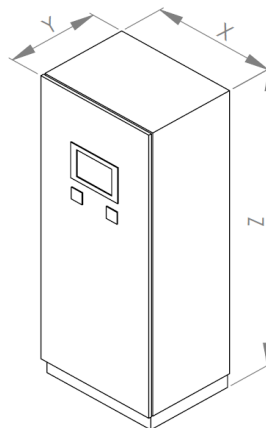
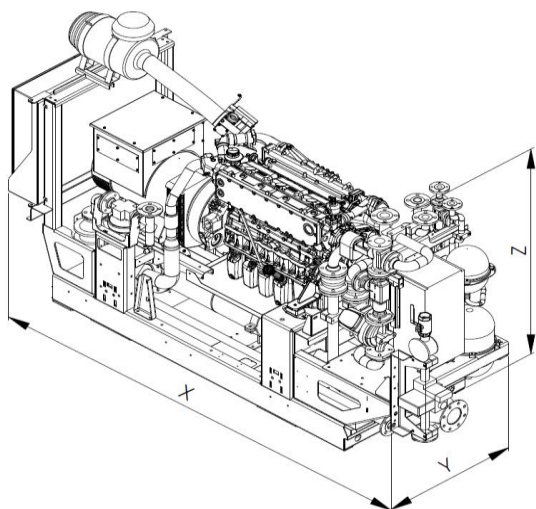
** Total sound power level at full engine load in accordance with DIN 45635-11 Annex A

*** Filling tank omitted with installation of a lubricating oil volume auxiliary tank

8 Interfaces

8.1 Dimensions and weights

(Figures may differ)



Length Module	X	119.69	in
Width Module	Y	38.58	in
Height Module	Z	66.85	in
Weight Module		7496	lbs
Weight Module with sound enclosure (not available)		-	lbs
Powder-coated CHP frame		RAL 6002	
Width Control cabinet	X	31.50	in
Depth Control cabinet	Y	19.69	in
Height Control cabinet	Z	74.80	in
Weight Control cabinet		441	lbs
Control cabinet powder coated		RAL 7035	
Width Power switch cabinet	X	23.62	in
Depth Power switch cabinet	Y	15.75	in
Height Power switch cabinet	Z	74.80	in
Weight Power switch cabinet		331	lbs
Power switch cabinet powder coated		RAL 7035	

8.2 Mechanical Connections

Interface Gas	40 / 10	DN / PN
Interface Exhaust	100 / 10	DN / PN
Interface Heating circuit	40 / 16	DN / PN
Interface Emergency cooling circuit	50 / 16	DN / PN

8.3 Electrical connections / utility interface

Grid connection with pre-fuse (customer-provided)	60 Hz / 480 V
Grid system	Y
Short-circuit proof I _{cc} (max.)	50 kA

8.4 Data interfaces

Remote maintenance access (optional) *	DSL / UMTS (SIM)
Interfaces / Data interfaces (optional):	<ul style="list-style-type: none">- Profibus- Profinet- Modbus RTU- Modbus TCP- Ethernet IP- Hardware signals
Access virtual power plant (optional)	Possible after technical clarification (bus or hardware signals)

* Access for remote maintenance must be provided by the customer

9 Technical boundary conditions

Unless otherwise specified, all data is based on full engine load with the respective indicated media temperatures and subject to technical improvements. The generator output measured at the generator terminals serves as the basis for the delivered electrical power. All power and efficiency specifications are gross specifications. The fuel gas quality must conform to the specifications of 'TA-004 Gas'. The operating fluids and plant system layout must conform to the 'Technical instructions' of 2G.

- (1) Performance conditions in accordance with DIN ISO 3046. Tolerance for specific fuel use amounts to + 5% of nominal performance. Efficiency specifications are based on an engine in new condition. An abatement in efficiency over the service life is reduced with observance of the maintenance requirements.
- (2) The tolerance for usable heat output is +/- 8 % under normal load.
- (3) The tolerance for the exhaust temperature is +/- 8 %.
- (4) Corresponding to a residual oxygen concentration in the exhaust of 15 %.
- (5) Electrical generator terminal power at $\cos \varphi = 1.0$
- (6) Volume specifications for normal status:

Pressure	14.69 psig
Temperature	32 °F
- (7) Standard deviation of reproducibility 4 dB in accordance with DIN EN ISO 3746
- (8) Assumed gas composition (VOC calculated as NMHC):
CH₄=50 %, CO₂=50 %

Power specifications in this document relate to standard reference conditions.

Standard reference conditions in accordance with DIN ISO 3046-1:

Air pressure	14.50 psig
Air temperature	77 °F
Relative air humidity	30 %

Power reduction

Power reduction due to installation at altitude > 958ft a.s.l. and/or air suction temperature > 77°F shall be determined specifically for each project according "TI-049 Load reduction".